

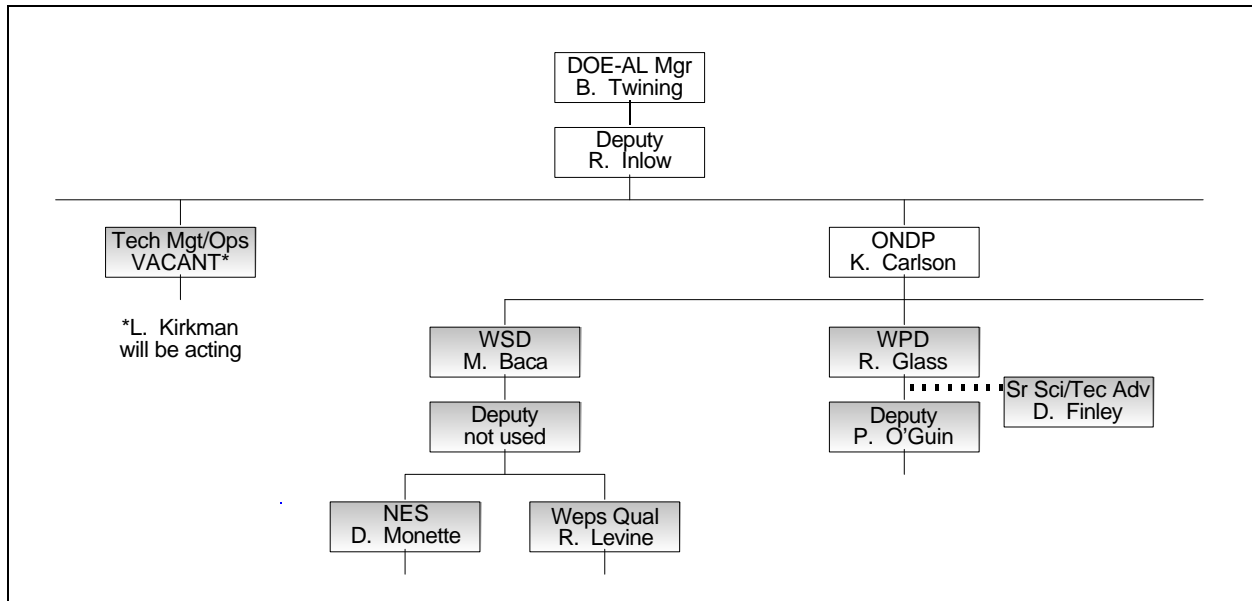
DEFENSE NUCLEAR FACILITIES SAFETY BOARD

December 24, 1997

MEMORANDUM FOR: G.W. Cunningham, Technical Director
FROM: T. Dwyer and H. Waugh, Pantex Site Representatives
SUBJECT: Pantex Plant Activity Report for Week Ending December 26, 1997

DNFSB Activity Summary: Harry Waugh was on site on Monday and Wednesday. Timothy Dwyer was on site Monday through Wednesday.

DOE-AL Personnel Changes: DOE-AL released the selection results for the three SES vacancies in their organization (Weapons Programs Division - WPD, Weapons Surety Division - WSD, Kirtland Area Office Manager - KAO), along with associated personnel moves to support the new Division Directors. WPD is now Richard Glass; WSD, a new division, is Mark Baca; KAO is now Michael Zamorski. The partial organization chart below highlights personnel in their new positions at DOE-AL.



Pit Storage -- AT-400A: M&H ultrasonic inspection of the integrity of the inner container girth welds have been completed on 8 containers. All 8 exhibited anomalies in the weld, apparently near the inner surface. M&H is conducting several parallel investigations of the UT process, standard, and sample welds to characterize the problem. Although permission was granted to begin an additional pilot lot of 20 units, M&H is weighing the risks of beginning this lot before the girth weld issues have been resolved.

Pit Storage -- GAO: Mr. C. Pacheco of the GAO contacted the Site Representatives Office pursuant to a GAO project under the auspices of Congressman Dan Schaeffer, Chairman of the Subcommittee on Energy and Power, Committee on Commerce. The GAO is looking into DOE storage of Pu, including pits, and has a working deadline of March 1998 to publish its report.

Attachment

Upcoming Pantex Events:

December 23-29 -- W79 Cell SIRR [in progress]

January 5-6 -- W79 Type 6B (unit #2) Dissolution [target date]

January 8-9 -- W79 Project Team/HATT Meeting to finalize NEHA [@ LLNL]**

January 13 -- Quarterly NMO Program Meeting

January 14 -- W87 LEP Meeting**

January 14 -- W87 ASSET (Graded SS-21) Meeting**

January 14 -- Quarterly Production Meeting

January 23 -- W56 Project Team Meeting**

February 3 -- W79 NESS starts

February 24-March 6 -- B61-11 NESE

March 9-27-- NES Electrical Tester Master Study completion

March 16 -- W79 FDU

[unknown] -- W56 SIRR [delayed due to resource conflict w/ W79]**

NOTES: ** highlights events which are new listings or for which schedule has changed